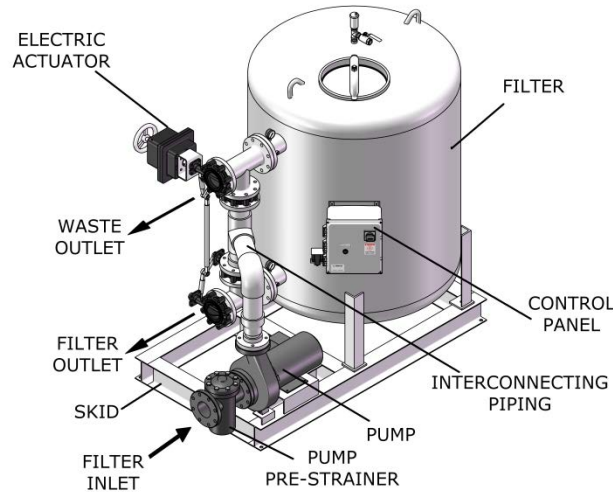


PF-4090-02-01 SPECIFICATION SHEET PUMP PACKAGE SYSTEM



Features:

- Removes particulate 10 microns and finer
- 50 psi working pressure
- Fully assembled skid package
- One year limited warranty

Options:

- Higher pressure ratings
- ASME code stamped vessel

SYSTEM COMPONENTS

SPECIFICATIONS	PF-4090-02-01
Flow Rate	885 GPM
Filtration Area	44.20 sq ft
Valve Size	6"
System Inlet Connection	6" flng
System Outlet Connection	6" flng
Waste Connection	6" flng
Backwash Connection	N/A
Pump Motor	20 HP
Est. Weight, Dry	23790 lbs
Est. Weight, Operating	36840 lbs

Filter Vessel :

- Non-code carbon steel vessel
- Fusion-bond polyester coated vessel
- Manual & auto air vents
- Inlet/Outlet pressure gauges
- Cast iron butterfly valves

Electrical Controls :

- UL labeled control panel
- Door disconnect switch
- Motor starter with Short-circuit/overload protection
- Electric actuator
- Local/Off/Remote Switch
- Pump Status/Trip
- Dry Contact Signals

Pump :

- Centrifugal pump
- TEFC motor
- Cast iron pre-strainer

Skid :

- Fusion-bond polyester coated carbon steel

Backwash Controls :

- Pressure differential switch
- 24 Hour time clock
- Manual push button
- Adjustable solid state timer

Interconnecting Pipe :

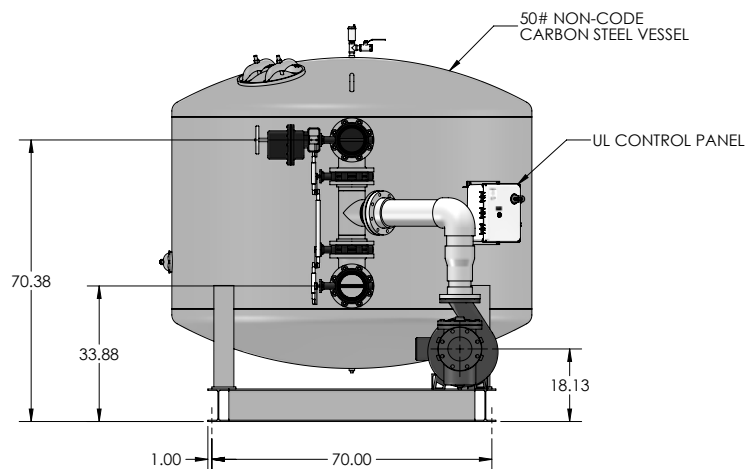
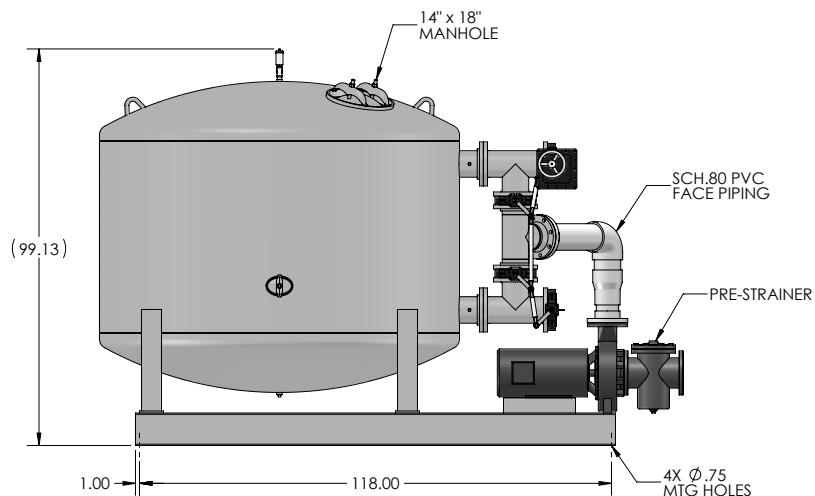
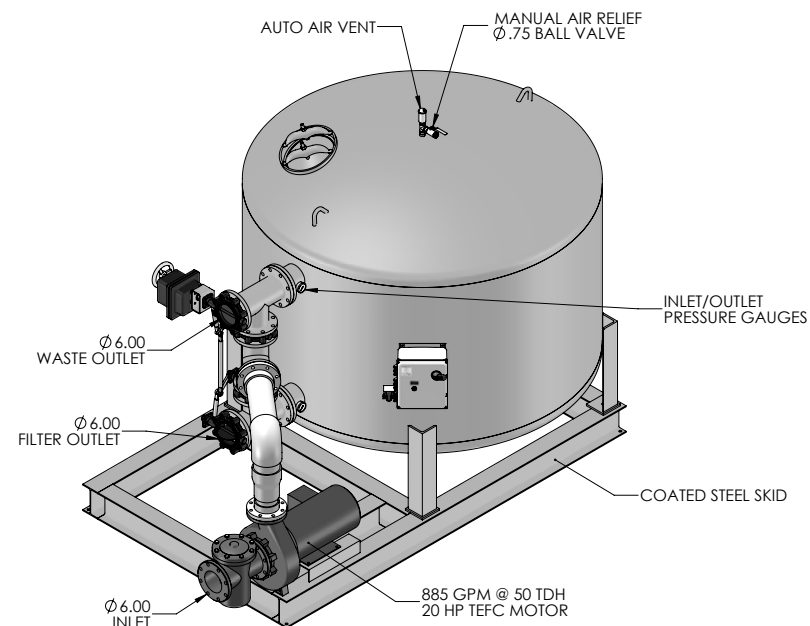
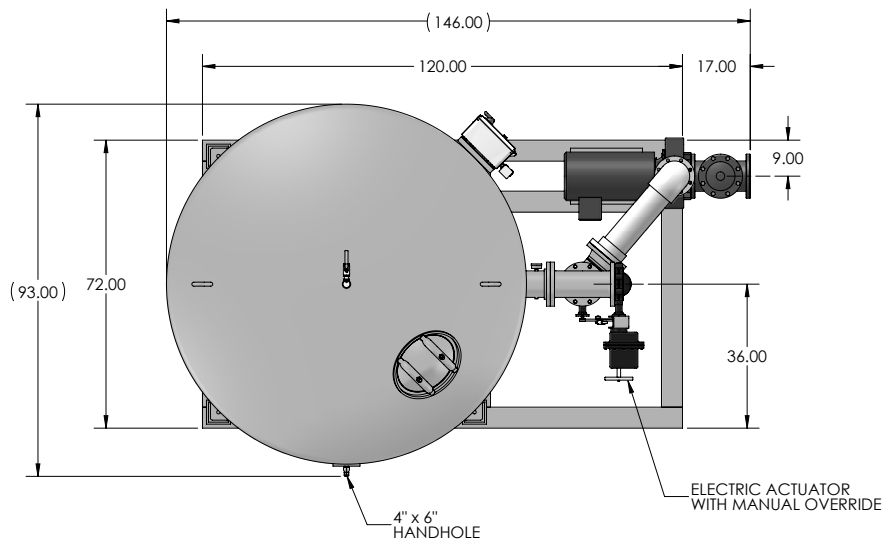
- Sch.80 PVC piping

*Shipping weight includes media

NOTES: UNLESS OTHERWISE SPECIFIED

1. DIMENSIONS ARE IN INCHES
2. DIMENSIONS MAY VARY SLIGHTLY - DO NOT USE FOR CONSTRUCTION
3. FILTER SYSTEM RATED @ 50 PSI (WORKING)

REVISIONS			
REV	DESCRIPTION	DATE	APPROVED
A	REVISED TANK	5-10-19	D.L.



PROPRIETARY AND CONFIDENTIAL THE INFORMATION CONTAINED IN THIS DRAWING IS THE SOLE PROPERTY OF PUROFLUX CORPORATION. ANY REPRODUCTION IN PART OR AS A WHOLE WITHOUT THE WRITTEN PERMISSION OF PUROFLUX CORPORATION IS PROHIBITED.	PF-4090-02-01: FILTER SYSTEM SOURCE WATER BACKWASH		REV A
	SIZE C	DWG NO. 401-0252	
DRAWN C. NIELSEN	RELEASE DATE 6-16-16	WWW.PUROFLUX.COM	SHEET 1 OF 1



REVISIONS			
REV	DESCRIPTION	DATE	APPROVED

PUMP MOTOR FULL LOAD AMPS (3Ø, 60Hz)				
MOTOR HP	208 VOLTS	230 VOLTS	460 VOLTS	575 VOLTS
1	3.22	2.8	1.4	1.12
1.5	5.01	4.36	2.18	1.94
2	6.44	5.6	2.8	2.24
3	9.59	8.34	4.17	3.34
5	15.5	13.5	5.76	5.41
7.5	22.4	19.5	9.79	7.81
10	29.2	25.4	12.7	10.1
15	45.1	39.2	19.6	15.7
20	58.9	51.2	25.6	20.5

FULL LOAD CURRENTS LISTED ABOVE ARE "AVERAGE VALUES" FOR HORSEPOWER RATED MOTORS OF SEVERAL MANUFACTURERS. THE RATED FULL LOAD CURRENT SHOWN ON THE MOTOR NAMEPLATE MAY VARY BY MANUFACTURER.

- NOTES**
- NOTES: UNLESS OTHERWISE SPECIFIED
- BRANCH CIRCUIT PROTECTION SUPPLIED BY OTHERS
 - PANEL U.L. LISTED AND LABELED
 - DASHED LINES INDICATE FIELD WIRING
 - SWITCH OPERATION
 "LOCAL" - REMOTE STOP/START OVERRIDE
 "OFF" - FILTER "OFF"
 "AUTO" - FILTER ON/OFF VIA REMOTE STOP/STOP

WARNING

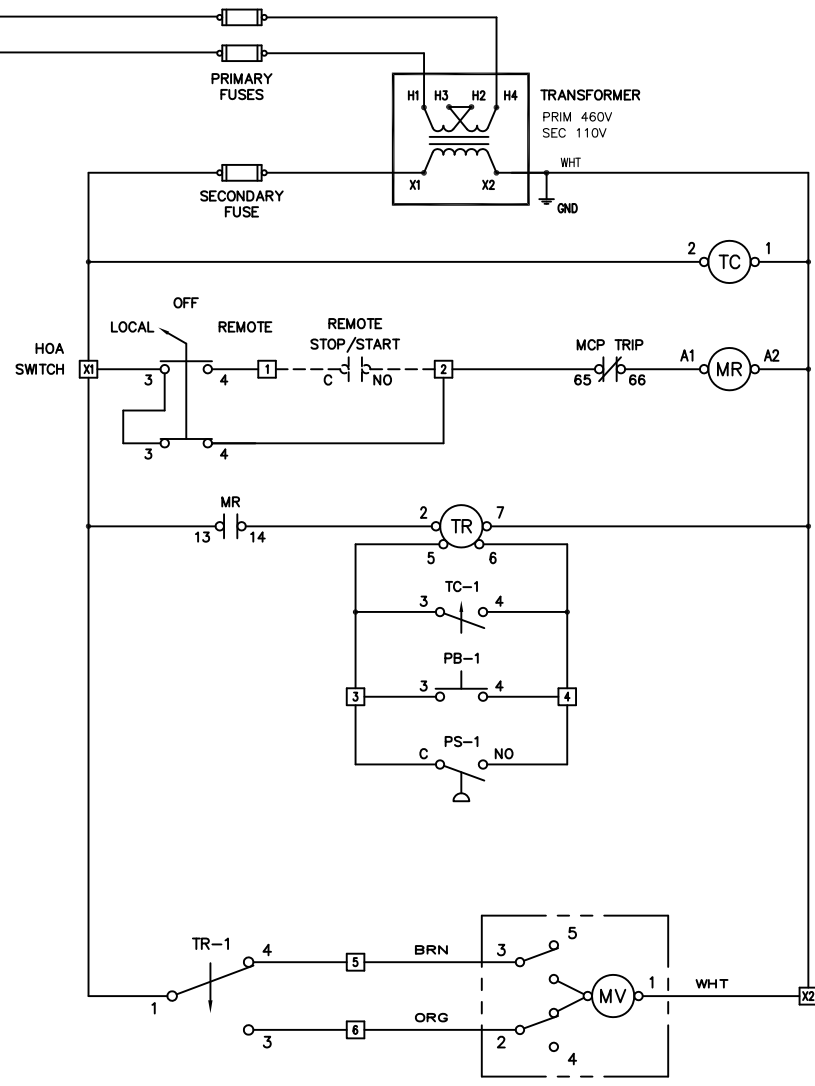
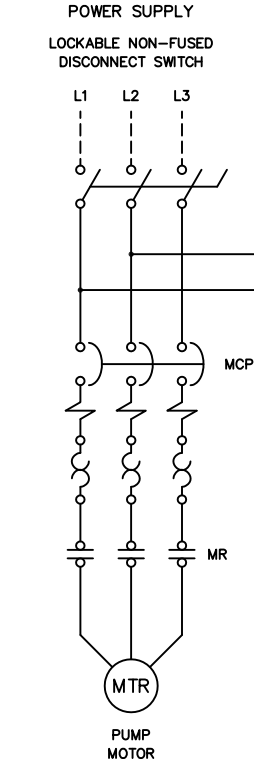
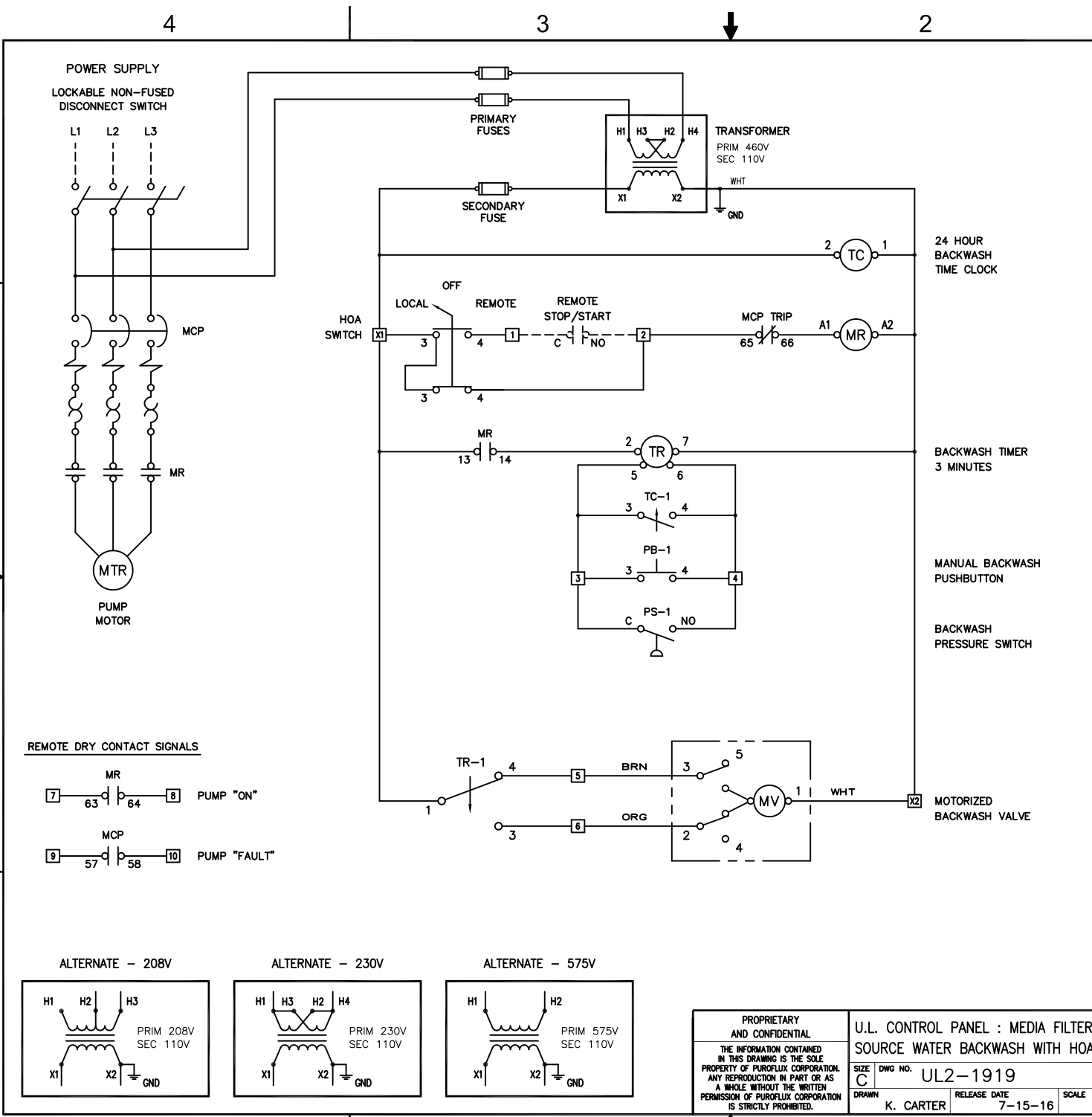
If an overload or fault current interruption occurs, circuits must be checked to determine the cause of the interruption. If a fault condition exists, the current carrying components should be examined and replaced if damaged, and the integral current sensors must be replaced to reduce the risk of fire or electric shock.

CAUTION - RISK OF ELECTRICAL SHOCK

More than one disconnect switch may be required to de-energize the equipment before servicing.

WARNING - RISK OF FIRE OR ELECTRIC SHOCK

The opening of the branch circuit protective device may be an indication that a fault current has been interrupted. All current carrying parts and other components protected by this device should be examined and replaced if damaged. If burnout of a current element of an overload relay occurs, the complete overload relay must be replaced.



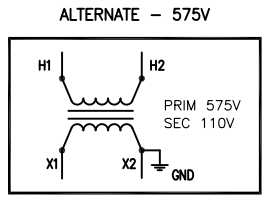
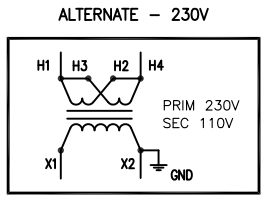
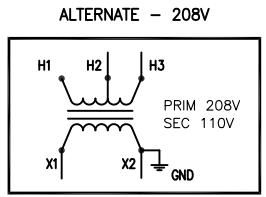
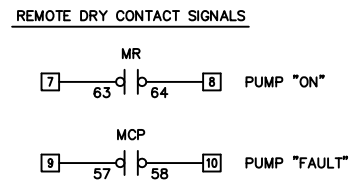
24 HOUR BACKWASH TIME CLOCK

BACKWASH TIMER 3 MINUTES

MANUAL BACKWASH PUSHBUTTON

BACKWASH PRESSURE SWITCH

MOTORIZED BACKWASH VALVE



PROPRIETARY AND CONFIDENTIAL
 THE INFORMATION CONTAINED IN THIS DRAWING IS THE SOLE PROPERTY OF PUROFLUX CORPORATION. ANY REPRODUCTION IN PART OR AS A WHOLE WITHOUT THE WRITTEN PERMISSION OF PUROFLUX CORPORATION IS STRICTLY PROHIBITED.

U.L. CONTROL PANEL : MEDIA FILTER SOURCE WATER BACKWASH WITH HOA
 SIZE DWG NO. UL2-1919
 DRAWN K. CARTER RELEASE DATE 7-15-16 SCALE NONE

PUROFLUX CORPORATION
 WWW.PUROFLUX.COM
 SHEET 1 OF 1