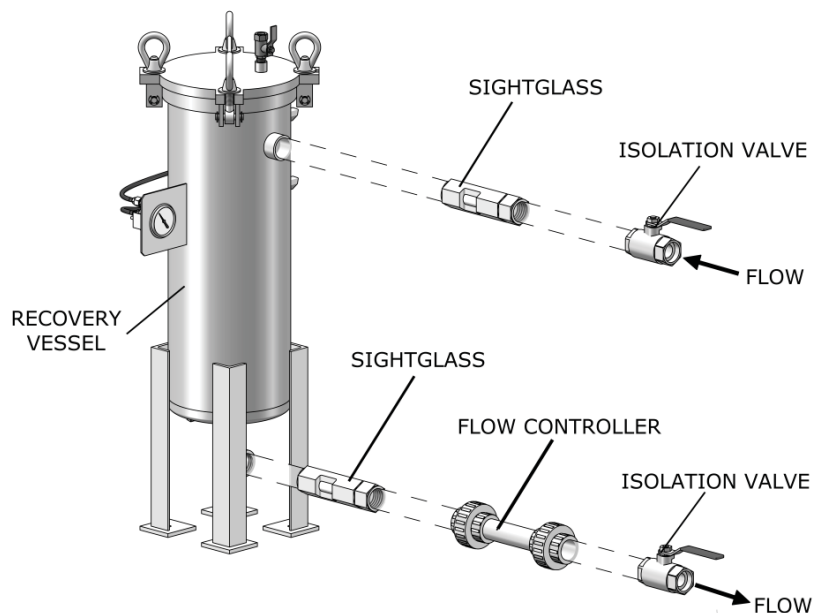


## RECOVERY VESSEL PLUMBING PACKAGE



### Features:

- (2) Isolation Ball Valves
- (2) Flow Sightglasses
- Flow Controller

### Isolation Ball Valve :

- Forced brass body
- Chrome plated ball



### Sightglass :

- Brass body
- Borosilicate glass sight

| PACKAGE MODEL | RECOVERY VESSEL | CONNECTION SIZE | FLOW RATE |
|---------------|-----------------|-----------------|-----------|
| PP-1S         | PF-RV-1S        | 1" FPT          | 15 GPM    |

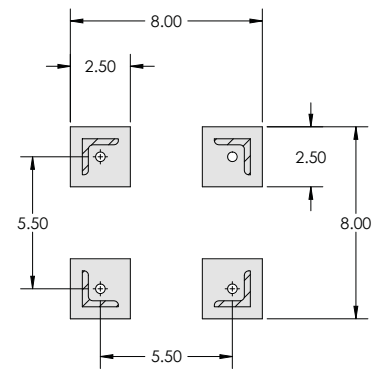
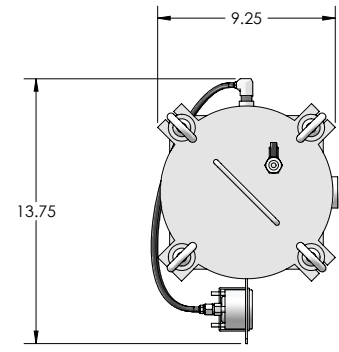
Note: All other interconnecting piping & fittings supplied by installing contractor



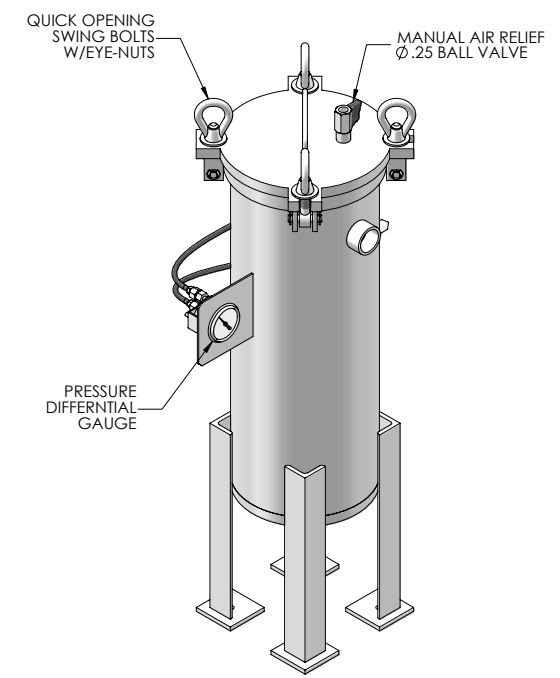
### Flow Controller :

- Schedule 80 PVC
- Threaded union connections

| REVISIONS |                            |         |          |
|-----------|----------------------------|---------|----------|
| REV       | DESCRIPTION                | DATE    | APPROVED |
| B         | REVISED INLET/OUTLET SIZES | 8-18-11 | D.L.     |



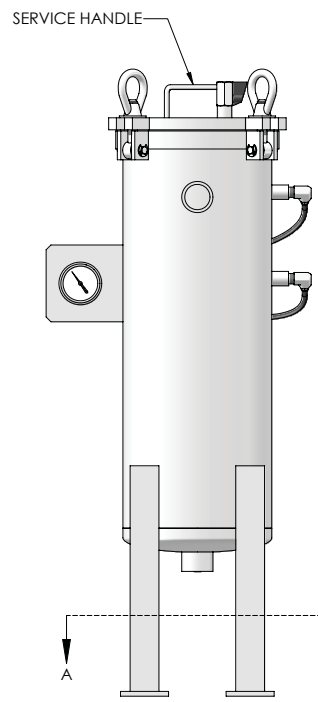
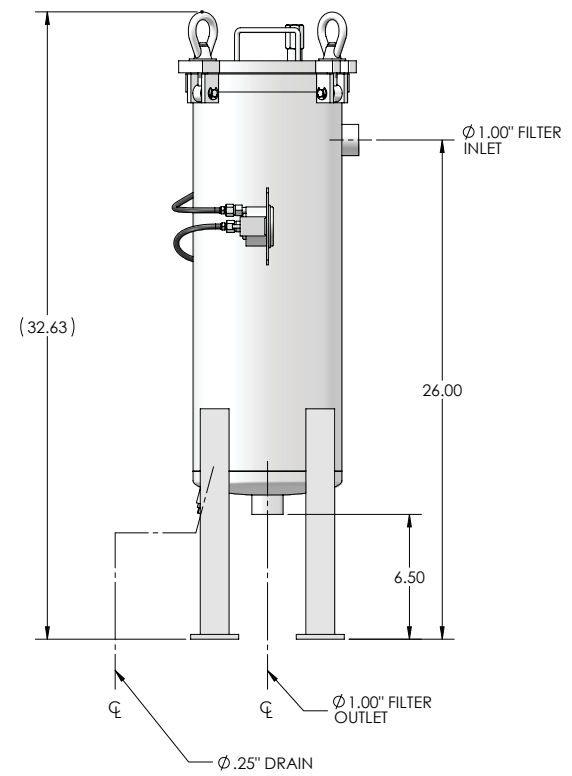
SECTION A-A  
SCALE 1 : 4



QUICK OPENING SWING BOLTS W/EYE-NUTS

MANUAL AIR RELIEF Ø.25 BALL VALVE

PRESSURE DIFFERENTIAL GAUGE



SERVICE HANDLE

- 7. STAINLESS STEEL SUPPORT BASKET
  - 6. FILTER BAG: 50 MICRON
  - 5. PURGE FLOW RATE: 15 GPM
  - 4. VESSEL RATED FOR 150 PSI MAX WORKING PRESSURE
  - 3. VESSEL CONSTRUCTION: 304 STAINLESS STEEL
  - 2. DIMENSIONS MAY VARY SLIGHTLY - DO NOT USE FOR CONSTRUCTION
  - 1. DIMENSIONS ARE IN INCHES
- NOTES: UNLESS OTHERWISE SPECIFIED

|  |   |  |  |
|--|---|--|--|
| PROPRIETARY AND CONFIDENTIAL<br>THE INFORMATION CONTAINED IN THIS DRAWING IS THE SOLE PROPERTY OF PUROFLUX CORPORATION. ANY REPRODUCTION IN PART OR AS A WHOLE WITHOUT THE WRITTEN PERMISSION OF PUROFLUX CORPORATION IS PROHIBITED. | PFRV-1S RECOVERY VESSEL<br>304 STAINLESS STEEL VESSEL |  |  |
|  | SIZE C<br>DWG NO. RV1-0068<br>DRAWN J. ROSALES        | REV B<br>RELEASE DATE 12-08-05<br>SCALE NONE |  |