

4

3

2

1

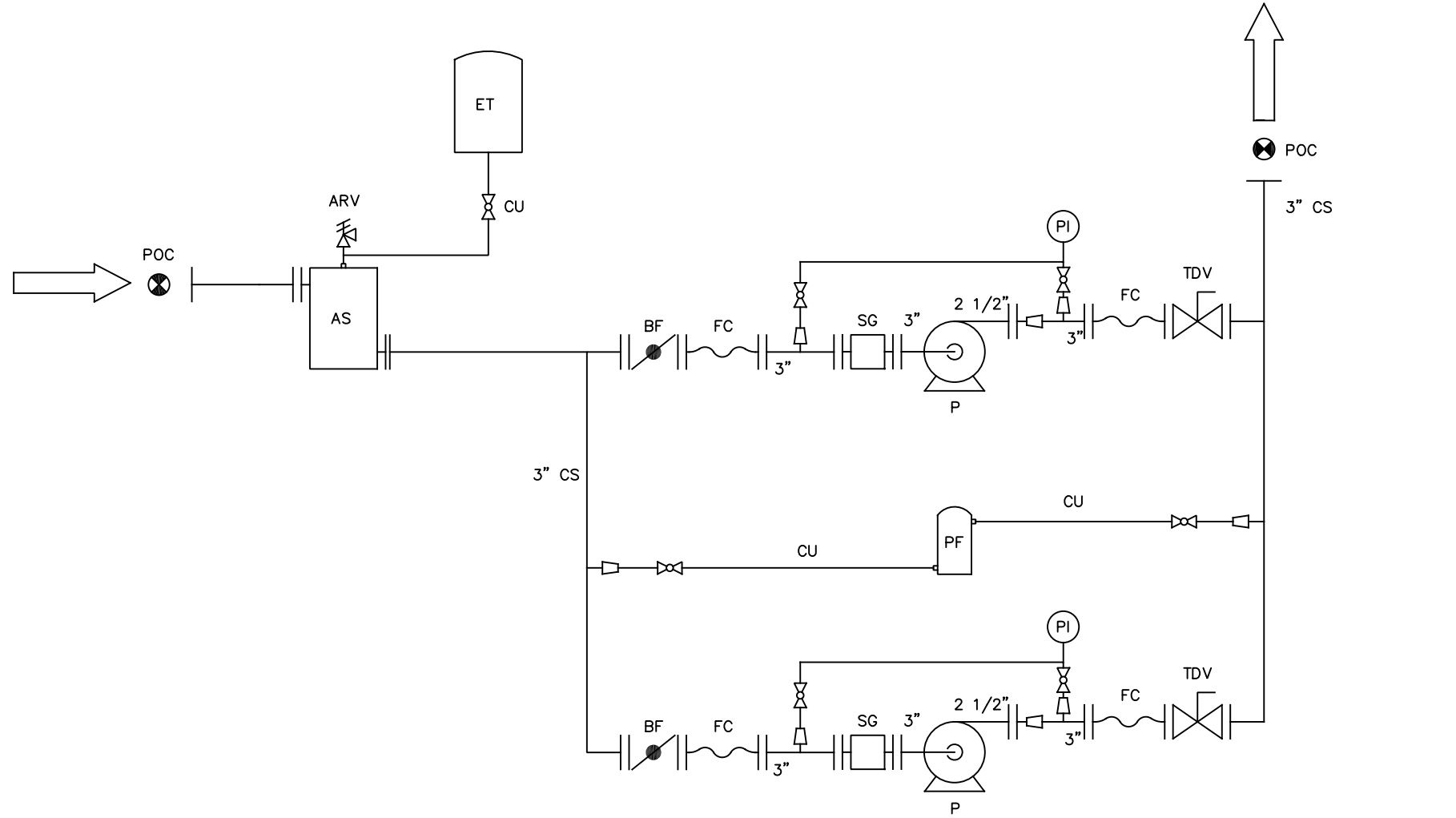
NOTICE OF PROPRIETARY RIGHTS

This document contains confidential technical data, including trade secrets, proprietary to Puroflux, Inc. Disclosure of this data to you is expressly conditioned upon your assent that its use is limited to use within your company only (and does not include manufacture or processing uses). Any other use is strictly prohibited without the prior written consent of Puroflux, Inc.

SUBMITTAL DRAWING

This drawing is submitted for special consideration only. Do not pre-plumb to these dimensions.

REVISIONS			
REV	DESCRIPTION	DATE	APPROVED



- PF - CHEMICAL POT FEEDER
- ET - BLADDER TYPE EXPANSION TANK
- AS - 3" TANGENTIAL AIR SEPARATOR
- PI - PRESSURE INDICATOR
- P - PUMP
- FC - FLEX COUPLER
- BF - BUTTERFLY VALVE
- ARV - AIR RELIEF VALVE
- CS - CARBON STEEL LINE (SCH 40)
- CU - COPPER LINE (TYPE "L")
- ⊗ POINT OF CONTACT

MATERIAL	UNLESS OTHERWISE NOTED DIMENSIONS ARE IN INCHES DO NOT SCALE THIS DRAWING	PROJ. NO.	3" PUMP PACKAGE 2 PUMP P&ID
HEAT TREAT	INTERPRET DRAWING PER APPLICABLE STANDARDS	DRAWN	C.N.
FINISH	DECIMALS ANGLES SURFACE FINISH .XX ± - - .XXX ± - ✓	CHECKED	
NEXT ASSEMBLY	THREADS PER NBS HANDBOOK-H28 CONCENTRICITIES .010 TIR BREAK CORNERS .005-.015 INTERNAL RADI .015-.030	DESIGN APPROVED	
APPLICATION		MFG APPROVED	
		QA APPROVED	
		RELEASE DATE	8-21-19
		SCALE	NDNE
		SIZE	C
		CAGE CODE	
		DWG. NO.	
		REV	
		SHEET	1 OF 1

4

3

2

1

DWG. NO. SH 1 REV