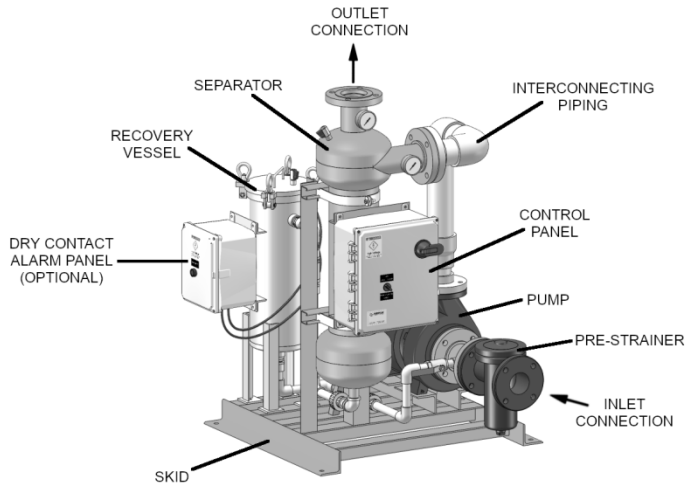


## PF-63-030 SPECIFICATION SHEET PUMP PACKAGE SYSTEM



### Features:

- Removes particulate as low as 45 microns
- 150 psi working pressure
- Fully assembled skid package
- One year limited warranty

### Options:

- Removable dome separator
- 22-1/2° Profile separator
- Coated carbon steel piping
- Isolation valve kit
- Dry contact for alarm

## SYSTEM COMPONENTS

| SPECIFICATIONS           | PF-63-030  |
|--------------------------|------------|
| Flow Rate                | 220 GPM    |
| System Inlet Connection  | 3" flng    |
| System Outlet Connection | 3" flng    |
| Recovery Vessel Model    | PF-RV-1S   |
| Separator Model          | PF-61-030  |
| Separator Purge          | Continuous |
| Pump Motor               | 7.5 HP     |
| Volume                   | 15 GAL     |
| Est. Weight, Dry         | 689 lbs    |
| Est. Weight, Operating   | 809 lbs    |

### Separator :

- PF-61 Series separator
- Fusion-bond polyester coated vessel
- Manual air bleed valve
- Inlet/Outlet pressure gauges

### Pump :

- Centrifugal pump
- TEFC motor
- Cast iron pre-strainer

### Skid :

- Fusion-bond polyester coated carbon steel

### Electrical Controls :

- UL labeled control panel
- Door disconnect switch
- Motor starter with Short-circuit overload protection
- Local/Off/Remote Switch
- Pump Status/Trip Dry Contact Signals

### Recovery Vessel :

- 304 Stainless steel vessel
- Pressure differential indicator
- Automatic flow controller

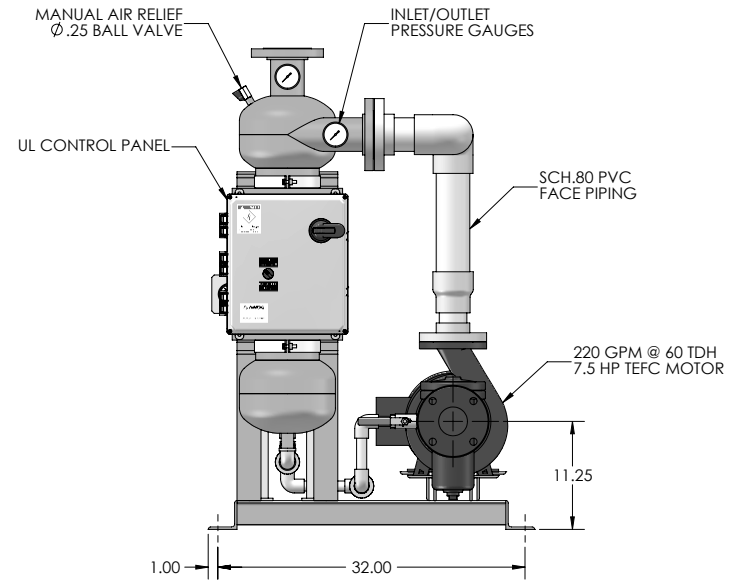
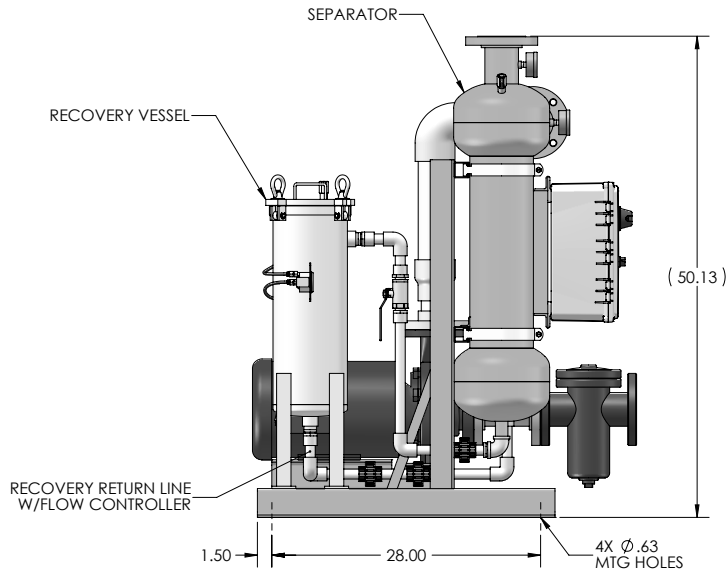
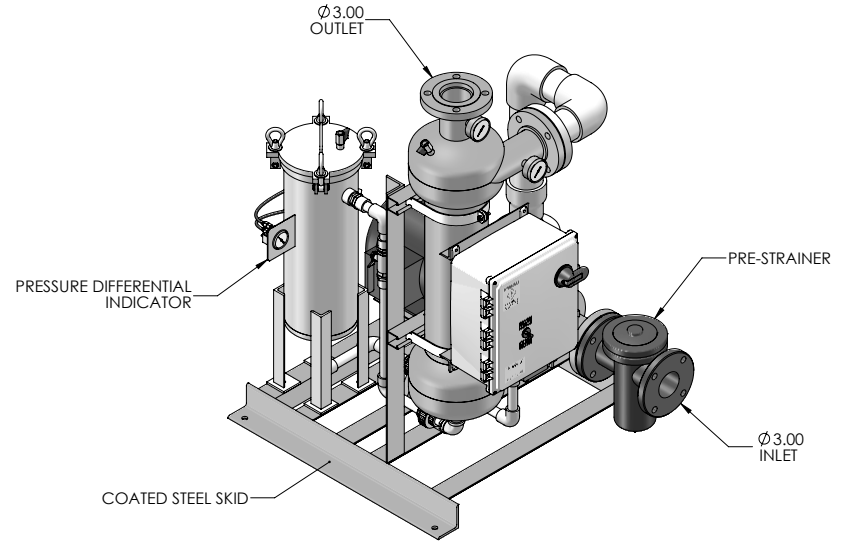
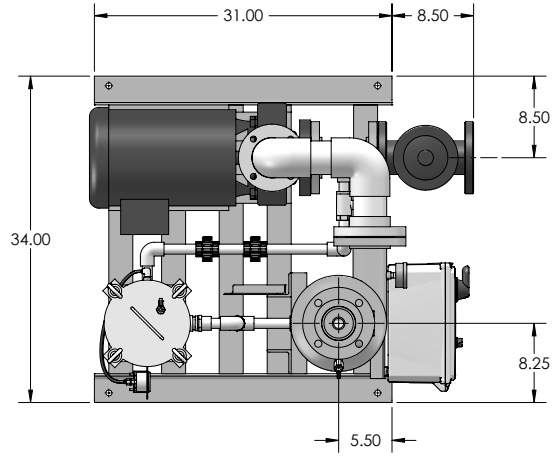
### Interconnecting Pipe :

- Sch.80 PVC piping

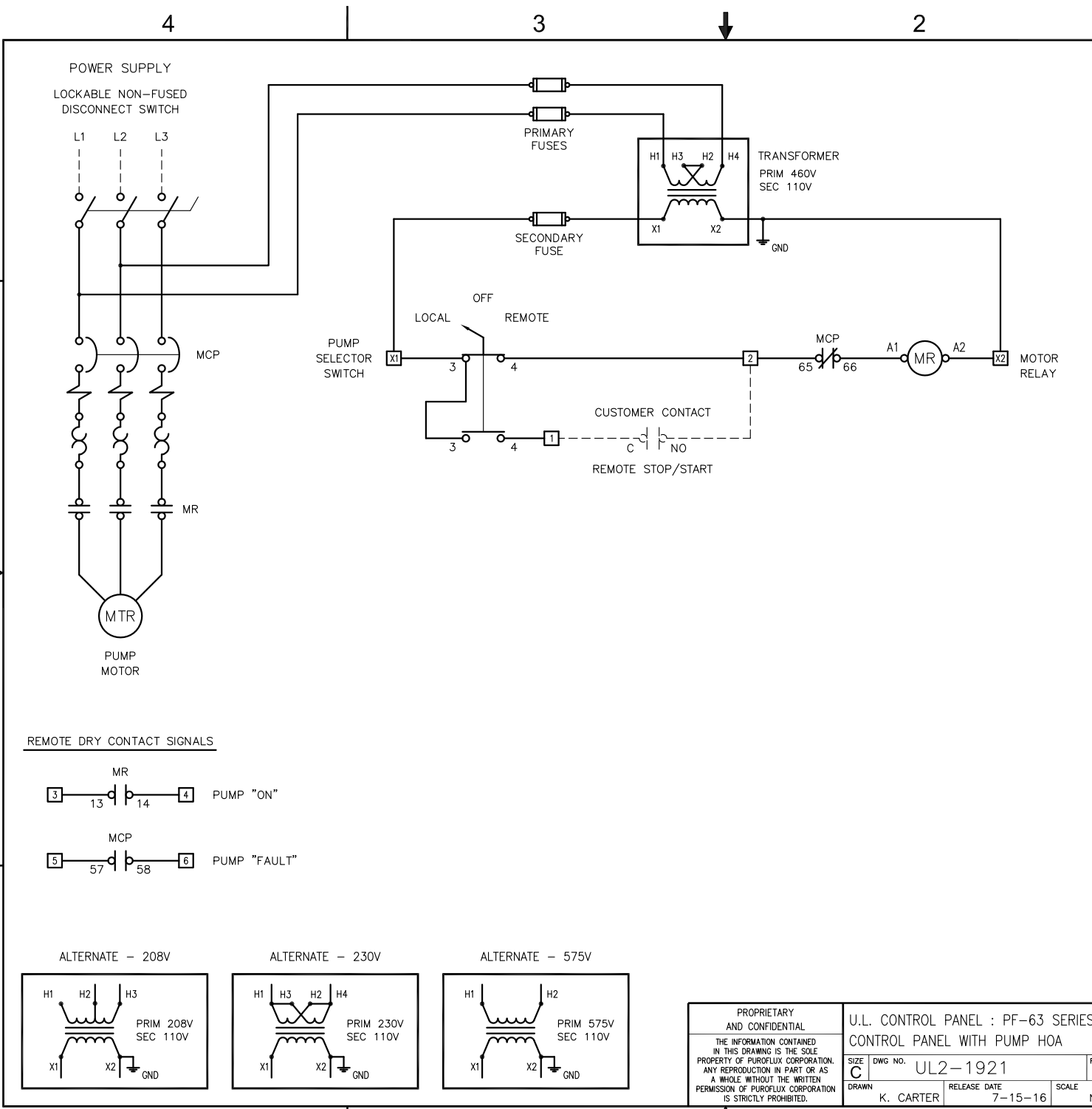
NOTES: UNLESS OTHERWISE SPECIFIED

1. DIMENSIONS ARE IN INCHES
2. DIMENSIONS MAY VARY SLIGHTLY - DO NOT USE FOR CONSTRUCTION
3. SEPARATOR SYSTEM IS RATED FOR 150 PSI WORKING PRESSURE

| REVISIONS |             |      |          |
|-----------|-------------|------|----------|
| REV       | DESCRIPTION | DATE | APPROVED |
| -         |             |      |          |



|  |   |                            |                  |                                |
|--|---|----------------------------|------------------|--------------------------------|
| PROPRIETARY AND CONFIDENTIAL<br>THE INFORMATION CONTAINED IN THIS DRAWING IS THE SOLE PROPERTY OF PUROFLUX CORPORATION. ANY REPRODUCTION IN PART OR AS A WHOLE WITHOUT THE WRITTEN PERMISSION OF PUROFLUX CORPORATION IS PROHIBITED. | PF-63-030 SEPARATOR PACKAGE<br>220 GPM - WITH RECOVERY VESSEL |                            |                  | <b>PUROFLUX</b><br>CORPORATION |
|  | SIZE<br><b>C</b>  | DWG NO.<br><b>631-0521</b> |                  |                                |
| DRAWN<br>D. LUNA   | RELEASE DATE<br>2-24-16                                       | SCALE<br>NONE              | WWW.PUROFLUX.COM | SHEET 1 OF 1                   |



| REVISIONS |             |      |          |
|-----------|-------------|------|----------|
| REV       | DESCRIPTION | DATE | APPROVED |
|           |             |      |          |

| PUMP MOTOR<br>FULL LOAD AMPS ( 3 $\phi$ , 60Hz ) |           |           |           |           |
|--|-----------|-----------|-----------|-----------|
| MOTOR HP   | 208 VOLTS | 230 VOLTS | 460 VOLTS | 575 VOLTS |
| 2  | 6.44      | 5.6       | 2.8       | 2.24      |
| 3  | 9.59      | 8.34      | 4.17      | 3.34      |
| 5  | 15.5      | 13.5      | 5.76      | 5.41      |
| 7.5  | 22.4      | 19.5      | 9.79      | 7.81      |
| 10   | 29.2      | 25.4      | 12.7      | 10.1      |
| 15   | 45.1      | 39.2      | 19.6      | 15.7      |
| 20   | 58.9      | 51.2      | 25.6      | 20.5      |
| 25   | 74.5      | 64.8      | 32.4      | 25.9      |
| 30   | 86.9      | 75.6      | 37.8      | 30.2      |
| 40   | 116.0     | 101.0     | 50.4      | 40.3      |

FULL LOAD CURRENTS LISTED ABOVE ARE "AVERAGE VALUES" FOR HORSEPOWER RATED MOTORS OF SEVERAL MANUFACTURERS. THE RATED FULL LOAD CURRENT SHOWN ON THE MOTOR NAMEPLATE MAY VARY BY MANUFACTURER.

**NOTES**

NOTES: UNLESS OTHERWISE SPECIFIED

- BRANCH CIRCUIT PROTECTION SUPPLIED BY OTHERS
- PANEL U.L. LISTED AND LABELED
- DASHED LINES INDICATE FIELD WIRING
- SWITCH OPERATION  
 "LOCAL" - REMOTE STOP/START OVERRIDE  
 "OFF" - FILTER "OFF"  
 "AUTO" - FILTER ON/OFF VIA REMOTE STOP/STOP

**WARNING**

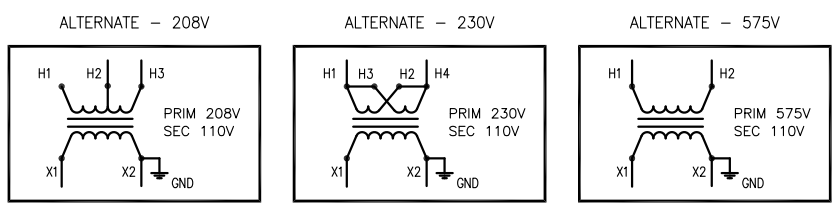
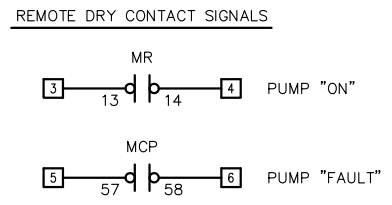
If an overload or fault current interruption occurs, circuits must be checked to determine the cause of the interruption. If a fault condition exists, the current carrying components should be examined and replaced if damaged, and the integral current sensors must be replaced to reduce the risk of fire or electric shock.

**CAUTION - RISK OF ELECTRICAL SHOCK**

More than one disconnect switch may be required to de-energize the equipment before servicing.

**WARNING - RISK OF FIRE OR ELECTRIC SHOCK**

The opening of the branch circuit protective device may be an indication that a fault current has been interrupted. All current carrying parts and other components protected by this device should be examined and replaced if damaged. If burnout of a current element of an overload relay occurs, the complete overload relay must be replaced.



|   |                                   |                      |            |
|---|-----------------------------------|----------------------|------------|
| PROPRIETARY AND CONFIDENTIAL<br>THE INFORMATION CONTAINED IN THIS DRAWING IS THE SOLE PROPERTY OF PUROFLUX CORPORATION. ANY REPRODUCTION IN PART OR AS A WHOLE WITHOUT THE WRITTEN PERMISSION OF PUROFLUX CORPORATION IS STRICTLY PROHIBITED. | U.L. CONTROL PANEL : PF-63 SERIES |                      | REV A      |
|   | CONTROL PANEL WITH PUMP HOA       |                      |            |
|   | SIZE C                            | DWG NO. UL2-1921     | SCALE NONE |
|   | DRAWN K. CARTER                   | RELEASE DATE 7-15-16 | SCALE NONE |

|  |   |              |
|--|---|--------------|
|  | <b>PUROFLUX CORPORATION</b><br>WWW.PUROFLUX.COM | SHEET 1 OF 1 |
|  |   |              |