

Separator :

- Fusion-bond polyester coated, carbon steel construction
- Manual air bleed valve, Inlet/Outlet pressure gauges

Pump :

- Centrifugal pump, TEFC motor, Cast iron pre-strainer

Skid & Interconnecting Pipe :

- Fusion-bond polyester coated, carbon steel

Electrical Controls :

- UL labeled control panel
- Door disconnect switch, Motor starter with Short-circuit overload protection
- Local/Off/Remote Switch, Remote Dry Contact Signals

Automatic Purge :

- Electrically actuated ball valve with Adjustable purge timer

PROVIDING INDUSTRIAL SOLUTIONS

Industrial Pump Package System

PFI-0550-AP

System Performance	
Flow Rate	550 GPM @ 60 TDH
Pump Horsepower	15 HP
Pump RPM	1750 RPM

System Connections	
Pump Inlet	6" 150# Flange
Separator Outlet	5" 150# Flange
Purge Outlet	1.5" 150# Flange

Electrical Requirements	208V	230V	460V
Motor Amperage	45.1	39.2	19.6
Total FLA	45.6	39.6	19.8

Design Ratings	
Working Pressure	150 PSI (Maximum)
Operating Temperature	100° F (Maximum)

Weights	Dry	Shipping	Operating
lbs	1376	1490	1513

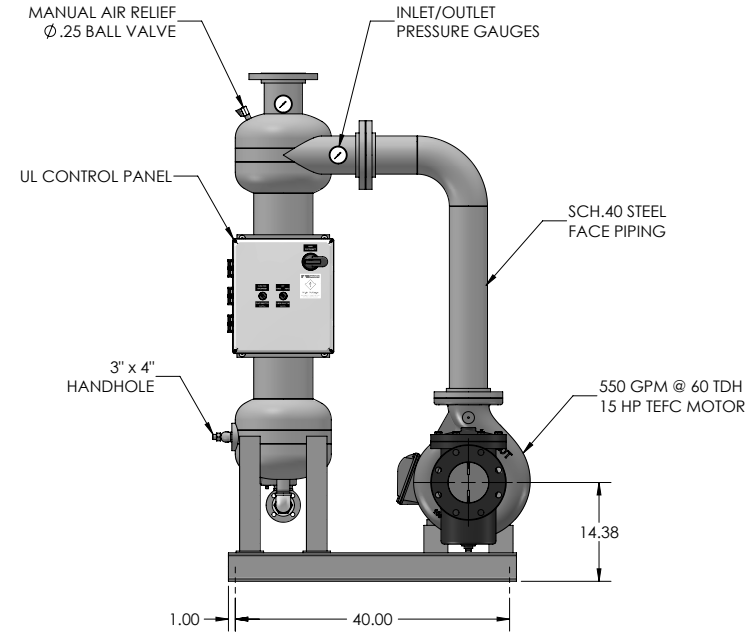
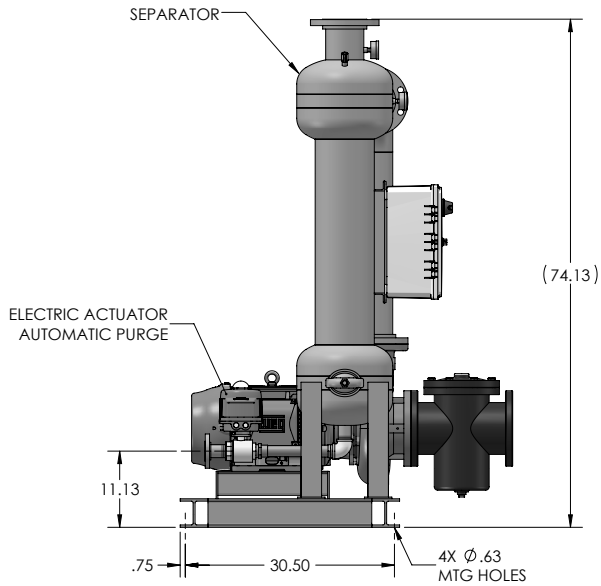
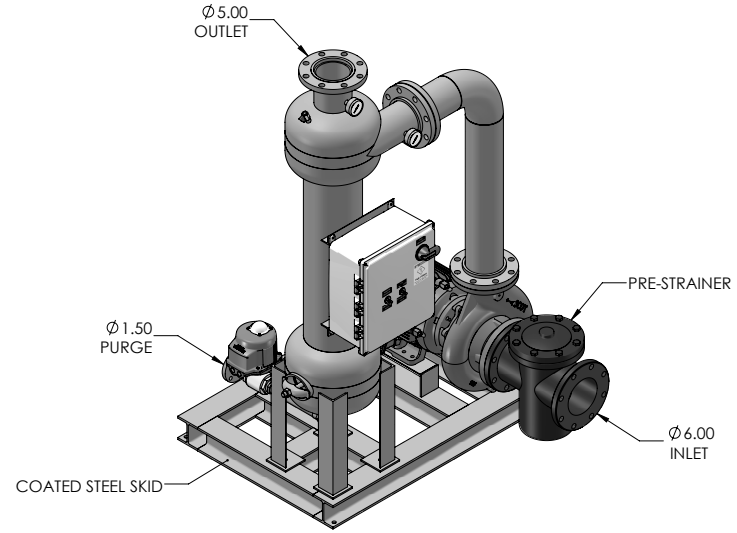
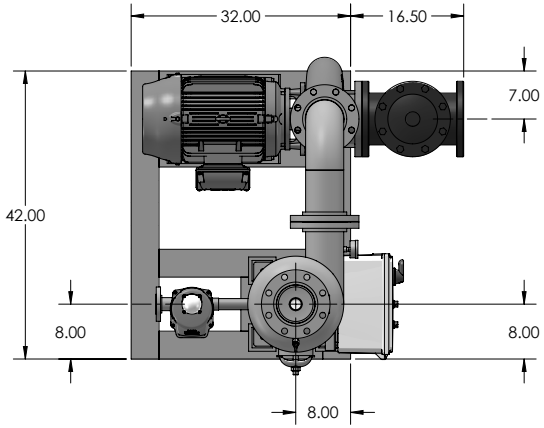
Features:

- Removes particulate as low as 45 microns
- Fully assembled skid package
- Single point power connection
- One year limited warranty

NOTES: UNLESS OTHERWISE SPECIFIED

1. DIMENSIONS ARE IN INCHES
2. DIMENSIONS MAY VARY SLIGHTLY - DO NOT USE FOR CONSTRUCTION
3. SEPARATOR SYSTEM IS RATED FOR 150 PSI WORKING PRESSURE
4. CONNECTION POINTS ARE ANSI 150# FLANGES

REVISIONS			
REV	DESCRIPTION	DATE	APPROVED
-			



PROPRIETARY AND CONFIDENTIAL THE INFORMATION CONTAINED IN THIS DRAWING IS THE SOLE PROPERTY OF PUROFLUX CORPORATION. ANY REPRODUCTION IN PART OR AS A WHOLE WITHOUT THE WRITTEN PERMISSION OF PUROFLUX CORPORATION IS PROHIBITED.	PFI-0550-AP SEPARATOR PACKAGE 550 GPM - WITH SKID MOUNTED PUMP		
	SIZE C DWG NO. PFI1-0007	REV -	
DRAWN C. NIELSEN	RELEASE DATE 2-5-21	SCALE NONE	SHEET 1 OF 1

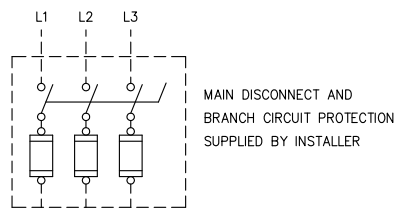
CAUTION – RISK OF ELECTRICAL SHOCK

More than one disconnect switch may be required to de-energize the equipment before servicing.

REVISIONS

REV	DESCRIPTION	DATE	APPROVED

SUPPLY POWER
SCCR : 10 kA RMS SYM

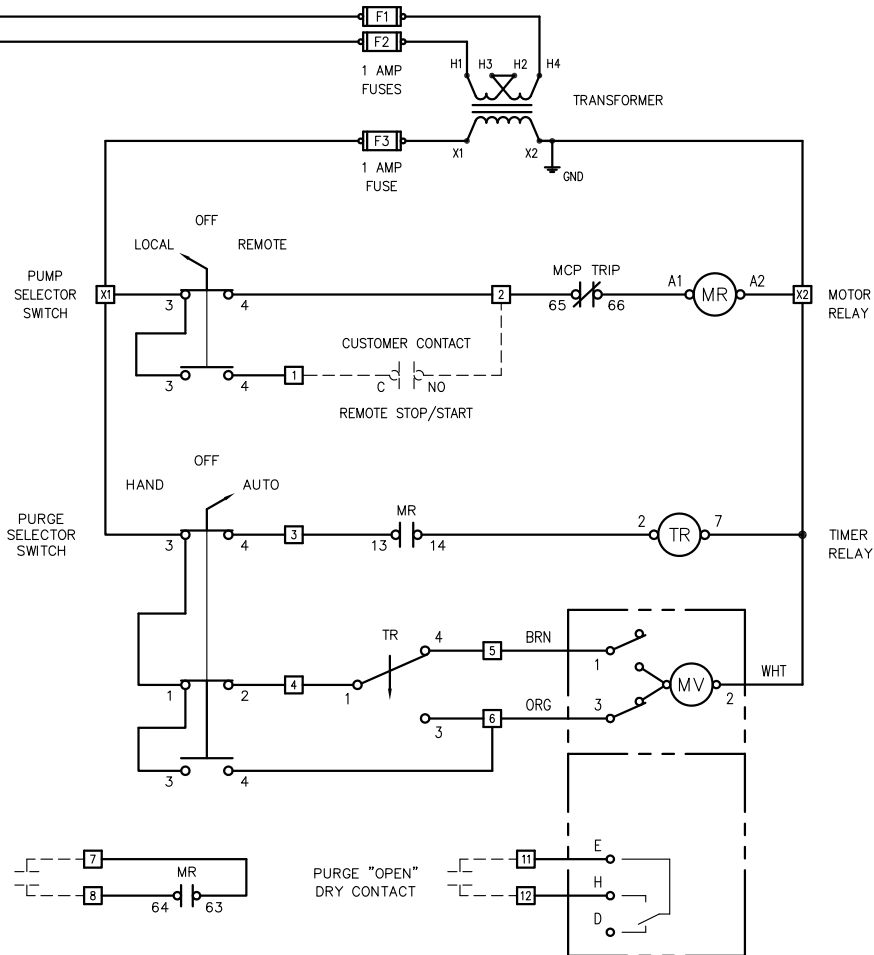


LOCKABLE NON-FUSED DISCONNECT SWITCH

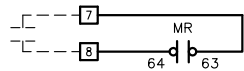
MOTOR CIRCUIT PROTECTOR W/ADJUSTABLE OVERLOAD

MOTOR RELAY

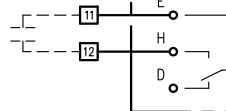
PUMP MOTOR



MOTOR "ON" DRY CONTACT



PURGE "OPEN" DRY CONTACT



MOTOR "TRIP" DRY CONTACT



PUMP MOTOR FULL LOAD AMPS (3φ, 60Hz)				
MOTOR HP	208 VOLTS	230 VOLTS	460 VOLTS	
10	29.2	25.4	12.7	
15	45.1	39.2	19.6	
20	58.9	51.2	25.6	
25	74.5	64.8	32.4	
30	86.9	75.6	37.8	
40	116.0	101.0	50.4	

FULL LOAD CURRENTS LISTED ABOVE ARE "AVERAGE VALUES" FOR HORSEPOWER RATED MOTORS OF SEVERAL MANUFACTURERS. THE RATED FULL LOAD CURRENT SHOWN ON THE MOTOR NAMEPLATE MAY VARY BY MANUFACTURER.

NOTES

NOTES: UNLESS OTHERWISE SPECIFIED

- BRANCH CIRCUIT PROTECTION SUPPLIED BY INSTALLER
- PANEL U.L. 508A LISTED AND LABELED
- DASHED LINES INDICATE FIELD WIRING
- CONDUIT HUBS AND FITTINGS MUST MAINTAIN THE ENVIRONMENTAL RATING OF THE ENCLOSURE
- TO MAINTAIN THE PROPER SCCR RATING, ANY FUSES THAT MUST BE REPLACED HAVE TO BE THE SAME TYPE AND RATING AS THE ORIGINAL
- POWER SHOULD BE TURNED OFF BEFORE CHANGING TIMER SETTINGS. REFER TO O&M MANUAL.

ACTUATOR WARNING !!!!

The emergency "MAN" switch and external hand wheel located on the filter actuator are only to be used when there is no power to the actuator. Disconnect power to the control panel before using this feature or DAMAGE MAY OCCUR to the actuator.

THIS FEATURE IS FOR EMERGENCIES ONLY!

If the valve does not open or close fully adjust cams to correct problem.

WARNING

If an overload or fault current interruption occurs, circuits must be checked to determine the cause of the interruption. If a fault condition exists, the current carrying components should be examined and replaced if damaged, and the integral current sensors must be replaced to reduce the risk of fire or electric shock.

WARNING – RISK OF FIRE OR ELECTRIC SHOCK

The opening of the branch circuit protective device may be an indication that a fault current has been interrupted. All current carrying parts and other components protected by this device should be examined and replaced if damaged. If burnout of a current element of an overload relay occurs, the complete overload relay must be replaced.

PROPRIETARY AND CONFIDENTIAL THE INFORMATION CONTAINED IN THIS DRAWING IS THE SOLE PROPERTY OF PUROFLUX CORPORATION. ANY REPRODUCTION IN PART OR AS A WHOLE WITHOUT THE WRITTEN PERMISSION OF PUROFLUX CORPORATION IS STRICTLY PROHIBITED.	U.L. CONTROL PANEL AUTO PURGE PANEL WITH PUMP HOA		
	SIZE DWG NO. UL2-10452 DRAWN K. CARTER	RELEASE DATE 2-25-21 SCALE NONE	