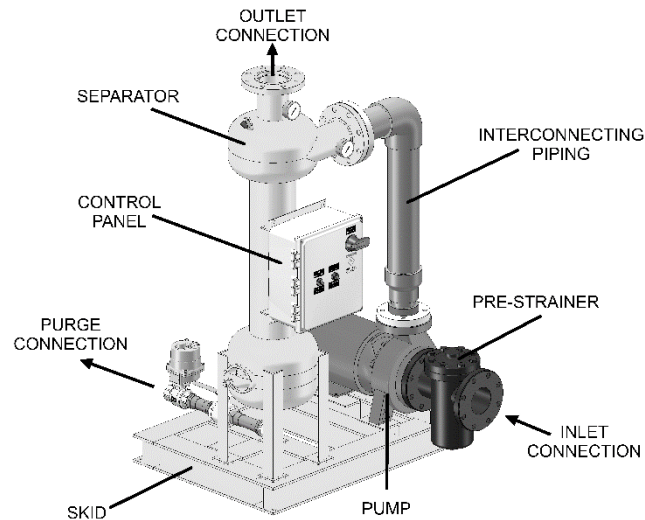


PF-64H-050-AP SPECIFICATION SHEET HIGH HEAD PUMP PACKAGE SYSTEM



Features:

- Removes particulate as low as 45 microns
- 150 psi working pressure
- Fully assembled skid package
- One year limited warranty

Options:

- Manual purge
- Removable dome separator
- 22-1/2° Profile separator
- Coated carbon steel piping
- Isolation valve kit

SYSTEM COMPONENTS

| SPECIFICATIONS | PF-64H-050-AP |
|--------------------------|---------------|
| Flow Rate | 600 GPM |
| System Inlet Connection | 6" Flange |
| System Outlet Connection | 5" Flange |
| Purge Connection | 1-1/2" fpt |
| Separator Model | PF-61-050 |
| Separator Purge | Automatic |
| Pump Motor | 20 HP |
| Volume | 24 GAL |
| Est. Weight, Dry | 1111 lbs |
| Est. Weight, Operating | 1311 lbs |

Separator :

- PF-61 Series separator
- Fusion-bond polyester coated vessel
- Manual air bleed valve
- Inlet/Outlet pressure gauges

Pump :

- Centrifugal pump
- TEFC motor
- Cast iron pre-strainer

Skid :

- Fusion-bond polyester coated carbon steel

Electrical Controls :

- UL labeled control panel
- Door disconnect switch
- Motor starter with Short-circuit overload protection
- Local/Off/Remote Switch
- Pump Status/Trip Dry Contact Signals

Automatic Purge :

- Electrically actuated ball valve
- Adjustable purge timer
- Purge Isolation Valve

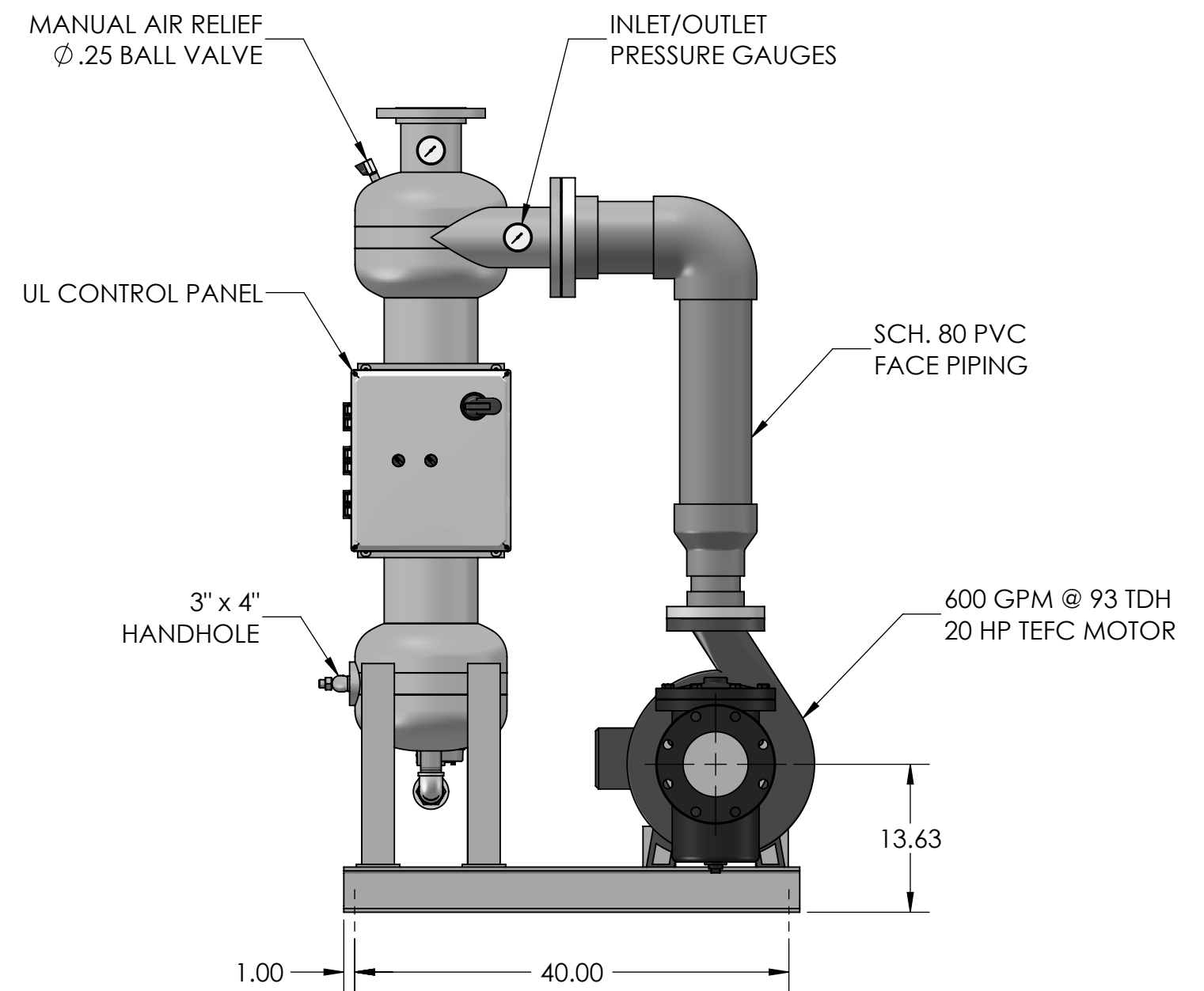
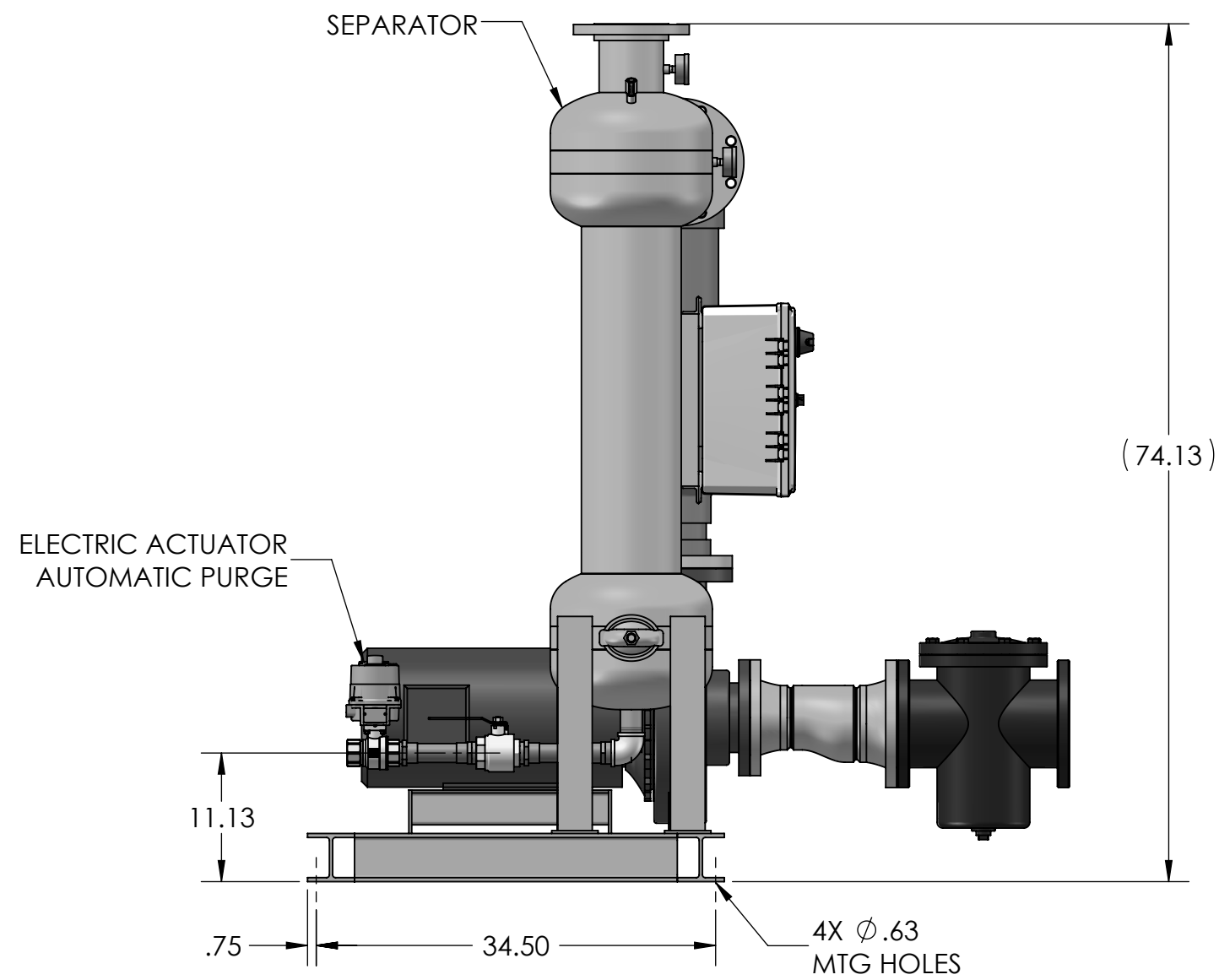
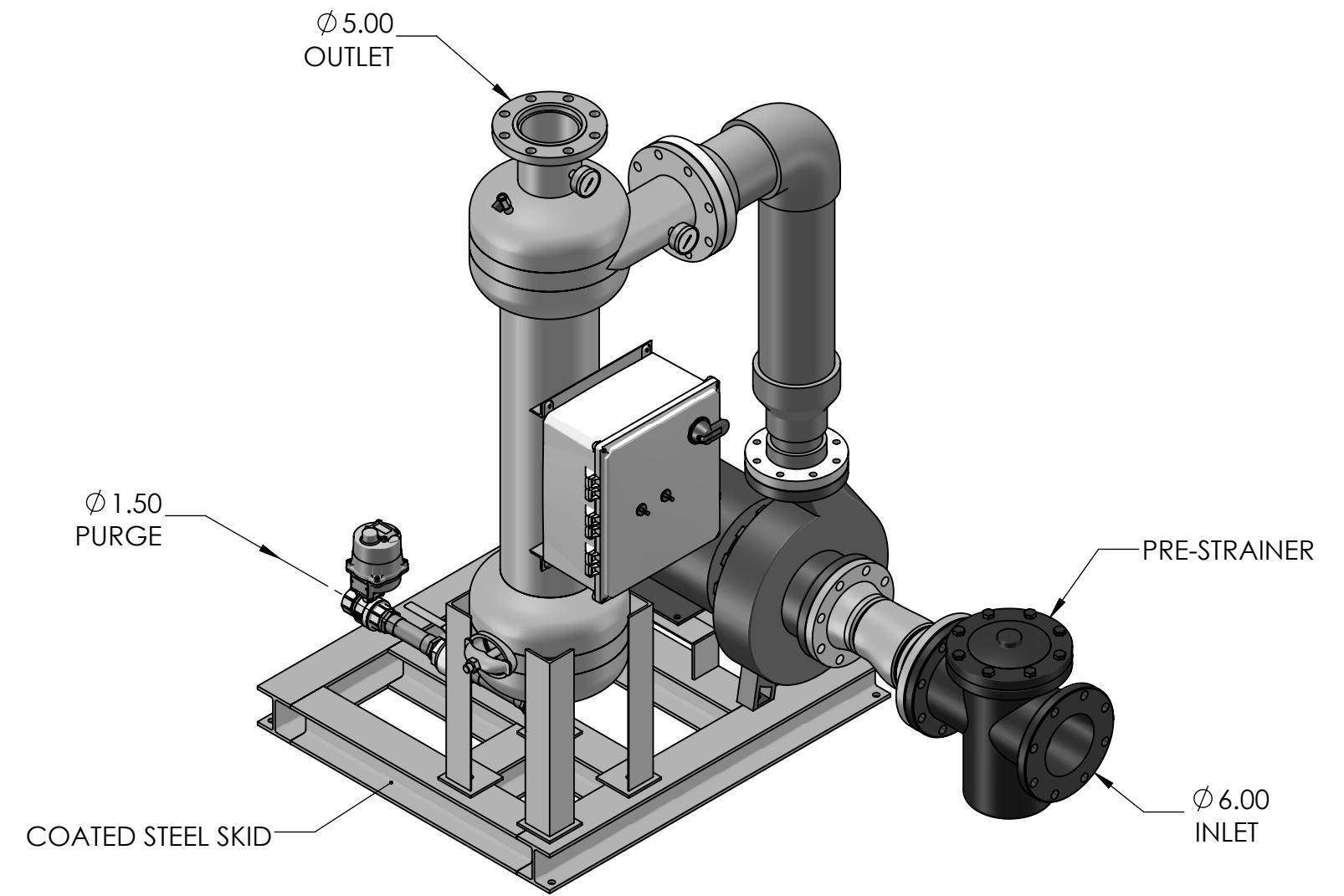
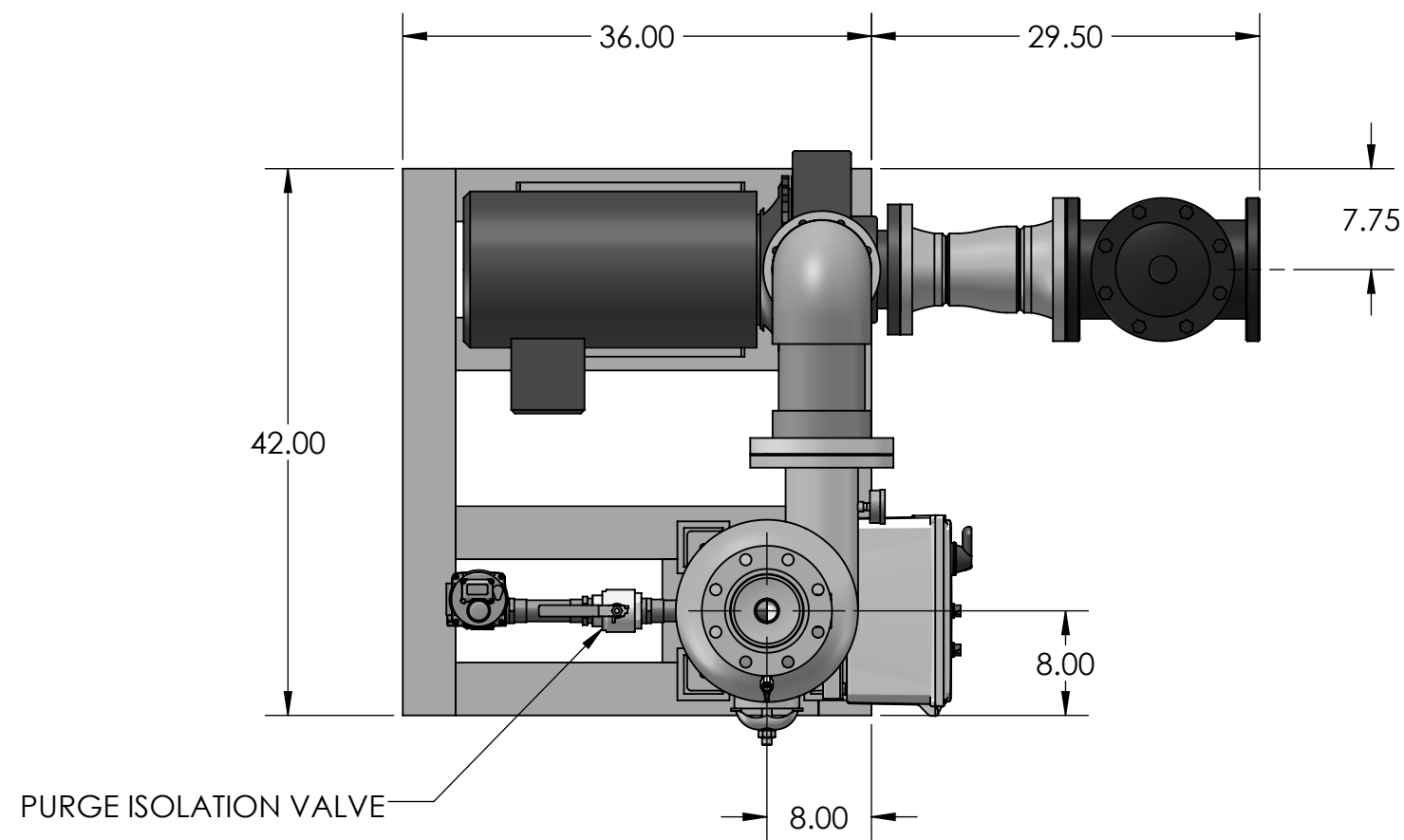
Interconnecting Pipe :

- Sch.80 PVC piping

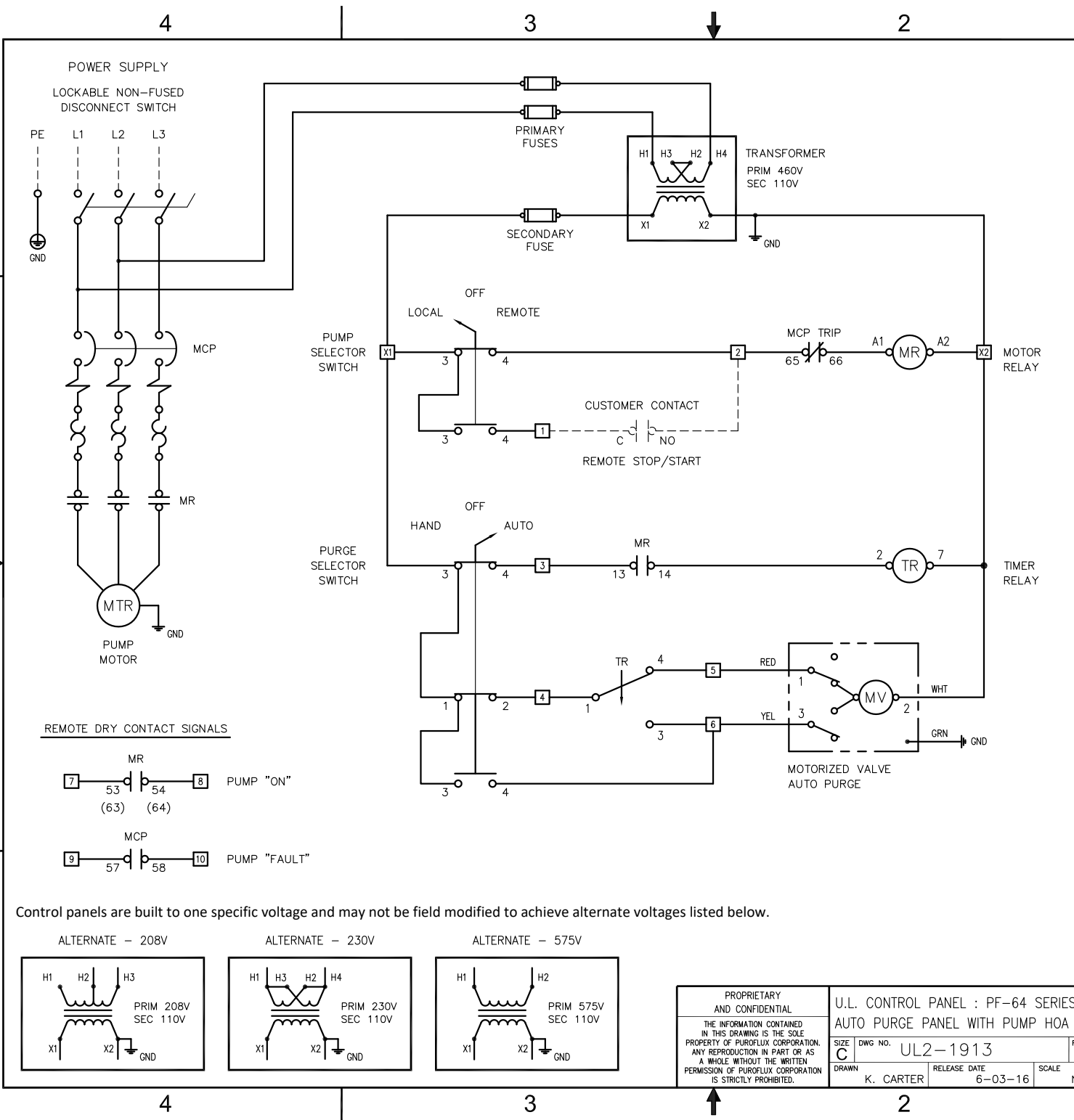
NOTES: UNLESS OTHERWISE SPECIFIED

1. DIMENSIONS ARE IN INCHES
2. DIMENSIONS MAY VARY SLIGHTLY - DO NOT USE FOR CONSTRUCTION
3. SEPARATOR SYSTEM IS RATED FOR 150 PSI WORKING PRESSURE

| REVISIONS | | | |
|-----------|-------------|------|----------|
| REV | DESCRIPTION | DATE | APPROVED |
| - | | | |



| | | | | |
|--|--|------------|-----------------------------|--------------|
| PROPRIETARY AND CONFIDENTIAL THE INFORMATION CONTAINED IN THIS DRAWING IS THE SOLE PROPERTY OF PUROFLUX CORPORATION. ANY REPRODUCTION IN PART OR AS A WHOLE WITHOUT THE WRITTEN PERMISSION OF PUROFLUX CORPORATION IS PROHIBITED. | PF-64H-050-AP HIGH HEAD PACKAGE 600 GPM - W/SKID MOUNTED PUMP | | | |
| | SIZE DWG NO. C 641-1317 | REV - | PUROFLUX CORPORATION | |
| DRAWN F. LOPEZ | RELEASE DATE 3-1-24 | SCALE NONE | WWW.PUROFLUX.COM | SHEET 1 OF 1 |



| REVISIONS | | | |
|-----------|-------------|------|----------|
| REV | DESCRIPTION | DATE | APPROVED |
| | | | |

| PUMP MOTOR FULL LOAD AMPS (3Ø, 60Hz) | | | | |
|---|-----------|-----------|-----------|-----------|
| MOTOR HP | 208 VOLTS | 230 VOLTS | 460 VOLTS | 575 VOLTS |
| 1 | 3.22 | 2.8 | 1.4 | 1.12 |
| 2 | 6.44 | 5.6 | 2.8 | 2.24 |
| 3 | 9.59 | 8.34 | 4.17 | 3.34 |
| 5 | 15.5 | 13.5 | 5.76 | 5.41 |
| 7.5 | 22.4 | 19.5 | 9.79 | 7.81 |
| 10 | 29.2 | 25.4 | 12.7 | 10.1 |
| 15 | 45.1 | 39.2 | 19.6 | 15.7 |
| 20 | 58.9 | 51.2 | 25.6 | 20.5 |
| 25 | 74.5 | 64.8 | 32.4 | 25.9 |
| 30 | 86.9 | 75.6 | 37.8 | 30.2 |
| 40 | 116.0 | 101.0 | 50.4 | 40.3 |
| 50 | 143 | 130 | 65 | 52 |

FULL LOAD CURRENTS LISTED ABOVE ARE "AVERAGE VALUES" FOR HORSEPOWER RATED MOTORS OF SEVERAL MANUFACTURERS. THE RATED FULL LOAD CURRENT SHOWN ON THE MOTOR NAMEPLATE MAY VARY BY MANUFACTURER.

NOTES

NOTES: UNLESS OTHERWISE SPECIFIED

- BRANCH CIRCUIT PROTECTION SUPPLIED BY OTHERS
- PANEL U.L. LISTED AND LABELED
- DASHED LINES INDICATE FIELD WIRING
- SWITCH OPERATION
 "LOCAL" - REMOTE STOP/START OVERRIDE
 "OFF" - FILTER "OFF"
 "AUTO" - FILTER ON/OFF VIA REMOTE STOP/STOP

ACTUATOR WARNING !!!!

If the valve does not open or close fully adjust actuator using the instructions provided in the Operations & Maintenance manual.

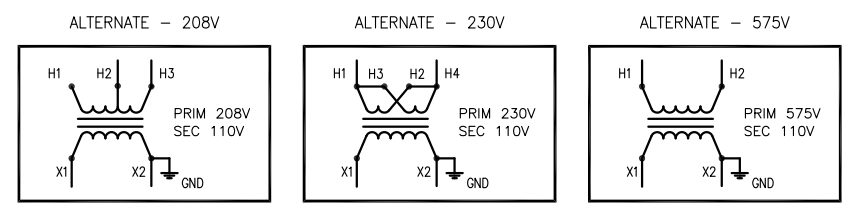
CAUTION - RISK OF ELECTRICAL SHOCK

More than one disconnect switch may be required to de-energize the equipment before servicing.

WARNING - RISK OF FIRE OR ELECTRIC SHOCK

The opening of the branch circuit protective device may be an indication that a fault current has been interrupted. All current carrying parts and other components protected by this device should be examined and replaced if damaged. If burnout of a current element of an overload relay occurs, the complete overload relay must be replaced.

Control panels are built to one specific voltage and may not be field modified to achieve alternate voltages listed below.



| | | | |
|---|--|---|------------------|
| PROPRIETARY AND CONFIDENTIAL THE INFORMATION CONTAINED IN THIS DRAWING IS THE SOLE PROPERTY OF PUROFLUX CORPORATION. ANY REPRODUCTION IN PART OR AS A WHOLE WITHOUT THE WRITTEN PERMISSION OF PUROFLUX CORPORATION IS STRICTLY PROHIBITED. | | U.L. CONTROL PANEL : PF-64 SERIES AUTO PURGE PANEL WITH PUMP HOA | |
| SIZE C DRAWN K. CARTER | DWG NO. UL2-1913 RELEASE DATE 6-03-16 | REV C SCALE NONE | WWW.PUROFLUX.COM |

| | |
|------------------|--------------|
| | |
| WWW.PUROFLUX.COM | SHEET 1 OF 1 |